

CHAPTER

10

**PARKING AND
MOORING**

CESSNA®
MODEL 208
ILLUSTRATED PARTS CATALOG

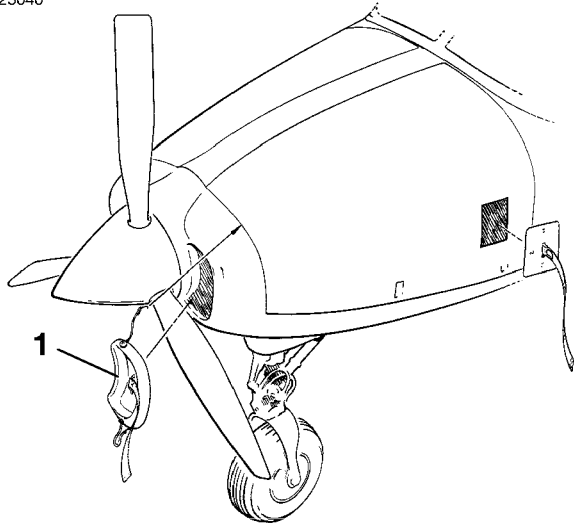
CHAPTER SECTION SUBJECT		NUMBER OF PAGES	DATE
10 - TITLE			
10 - LIST OF EFFECTIVE PAGES			
10 - RECORD OF TEMPORARY REVISIONS			
10 - TABLE OF CONTENTS			
10-10-00	Figure 01	2	Mar 1/2019
10-10-00	Figure 02	2	Mar 1/2017
10-10-00	Figure 03	2	Mar 1/2020

CESSNA®
MODEL 208
 ILLUSTRATED PARTS CATALOG

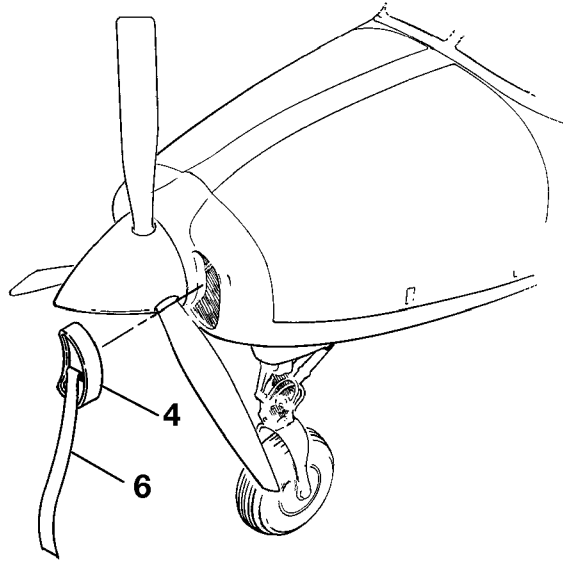
<u>SUBJECT</u>	<u>CHAPTER SECTION SUBJECT</u>	<u>FIGURE</u>	<u>EFFECTIVITY</u>	
			<u>START</u>	<u>END</u>
PARKING AND STORAGE EQUIPMENT	10-10-00	01	0001	0139
			B0001	B0116
PARKING AND STORAGE EQUIPMENT	10-10-00	02	0140	0224
			B0117	B0330
PARKING AND STORAGE EQUIPMENT	10-10-00	03	0225	& ON
			B0331	& ON

CESSNA®
MODEL 208
 ILLUSTRATED PARTS CATALOG

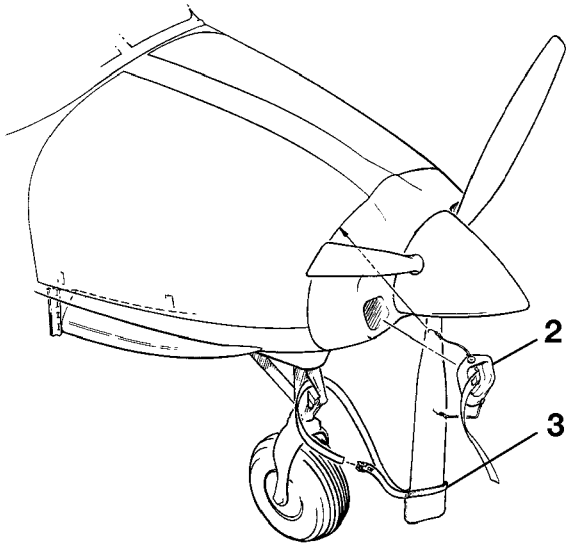
A25040



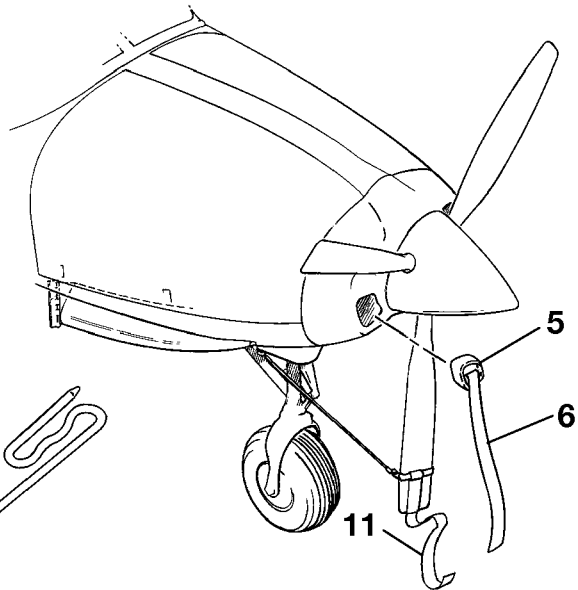
AIRPLANES 20800001 THRU 20800127
 AND 208B0001 THRU 208B0054



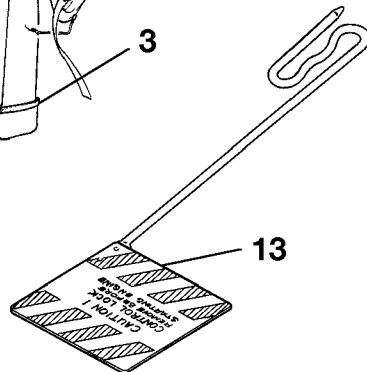
AIRPLANES 20800128 THRU 20800139
 AND 208B0055 THRU 208B0116



AIRPLANES 20800001 THRU
 20800127 AND 208B0001
 THRU 208B0054



AIRPLANES 20800128 THRU
 20800139 AND 208B0055
 THRU 208B0116



CONTROL LOCK

PARKING AND STORAGE EQUIPMENT
 FIGURE 01 (SHEET 1)

26801002
 26801002A
 26801001
 26801001A
 26801003

CESSNA®
MODEL 208
ILLUSTRATED PARTS CATALOG

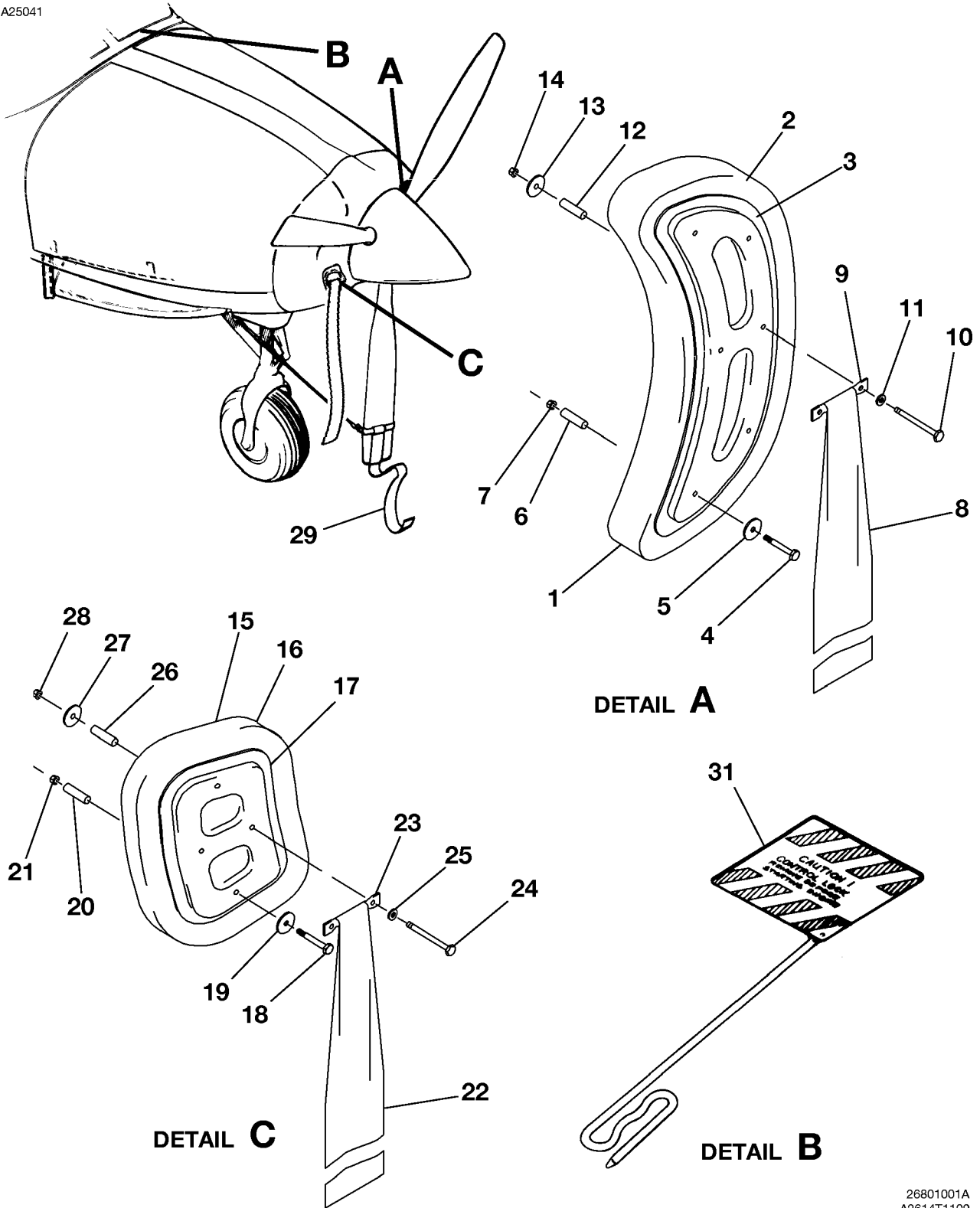
FIG ITEM	PART NUMBER	NOMENCLATURE	UNITS PER ASSY		
			1	2	3
01		PARKING AND STORAGE EQUIPMENT	0001	0139	RF
-			B0001	B0116	
1		. COVER ASSY- ENGINE INLET LH FSO 2684003-9 REFER TO NOTE 1	0001	0127	RF
			B0001	B0054	
2		. COVER ASSY- ENGINE INLET RH FSO 2684003-8 REFER TO NOTE 1	0001	0127	RF
			B0001	B0054	
3		. PROP ANCHOR ASSY FSO 2684002-1 REFER TO NOTE 1	0001	0127	RF
			B0001	B0054	
4		. COVER ASSY-ENGINE INLET LH REFER TO NOTE 1	0128	0139	RF
			B0055	B0116	
5		. COVER ASSY-ENGINE INLET RH REFER TO NOTE 1	0128	0139	RF
			B0055	B0116	
6		. . FLAG ASSY-ENGINE INLET FSO 2684003-1 OR -2 REFER TO NOTE 1 . .	0128	0139	RF
			B0055	B0116	
		ATTACHING PARTS			
- 7	AN3C36	. . BOLT	0128	0139	01
			B0055	B0116	
- 8	NAS43DD3-208N	. . SPACER	0128	0139	01
			B0055	B0116	
- 8A	NAS43DD3-208FC	. . SPACER ALT FOR NAS43DD3-208N	0128	0139	01
			B0055	B0116	
- 8A	MS37039-1-08	. . SCREW	0001	9999	05 R
- 9	NAS1149C0363R	. . WASHER	0128	0139	01
			B0055	B0116	
- 10	MS21043-3	. . NUT	0128	0139	01
			B0055	B0116	
		—*—			
11	2684002-1	. PROP ANCHOR ASSY FSO 2684005-17 REFER TO NOTE 2	0128	0139	NP
			B0055	B0116	
- 12	2684005-1	. PROP ANCHOR ASSY SPARES FSO 2684005-17 REFER TO NOTE 2			NP
- 12A	2684005-10	. PROP ANCHOR ASSY SPARES FSO 2684005-17			NP
- 12B	2684005-17	. PROP ANCHOR ASSY SPARES			01
13	2613286-1	. CONTROL LOCK ASSY FSO 2660055-1	0001	0020	NP
- 14	2613393-1	. CONTROL LOCK ASSY FSO 2660055-1	0021	0106	NP
- 15	2613403-1	. CONTROL LOCK ASSY FSO 2660055-1	0107	0139	NP
			B0001	B0116	
- 15A	2660055-1	. CONTROL LOCK ASSY			01
- 16		. TOW BAR ASSY-REFER TO 25-22-00 FIGURE 01			RF

NOTE 1—REFER TO 10-10-00 FIGURE 03 FOR SUPERSEDING PARTS

NOTE 2—WHEN INITIALLY ORDERING THIS PART FOR AIRCRAFT PRIOR TO -0128 OR B0055 ALSO ORDER 2652022-43 BRACKET TO BE MOUNTED ON LOWER RH COWL IN ACCORDANCE WITH SNL88-5

CESSNA®
MODEL 208
 ILLUSTRATED PARTS CATALOG

A25041



PARKING AND STORAGE EQUIPMENT
 FIGURE 02 (SHEET 1)

26801001A
 A2614T1109
 B26801003
 C2614T1109

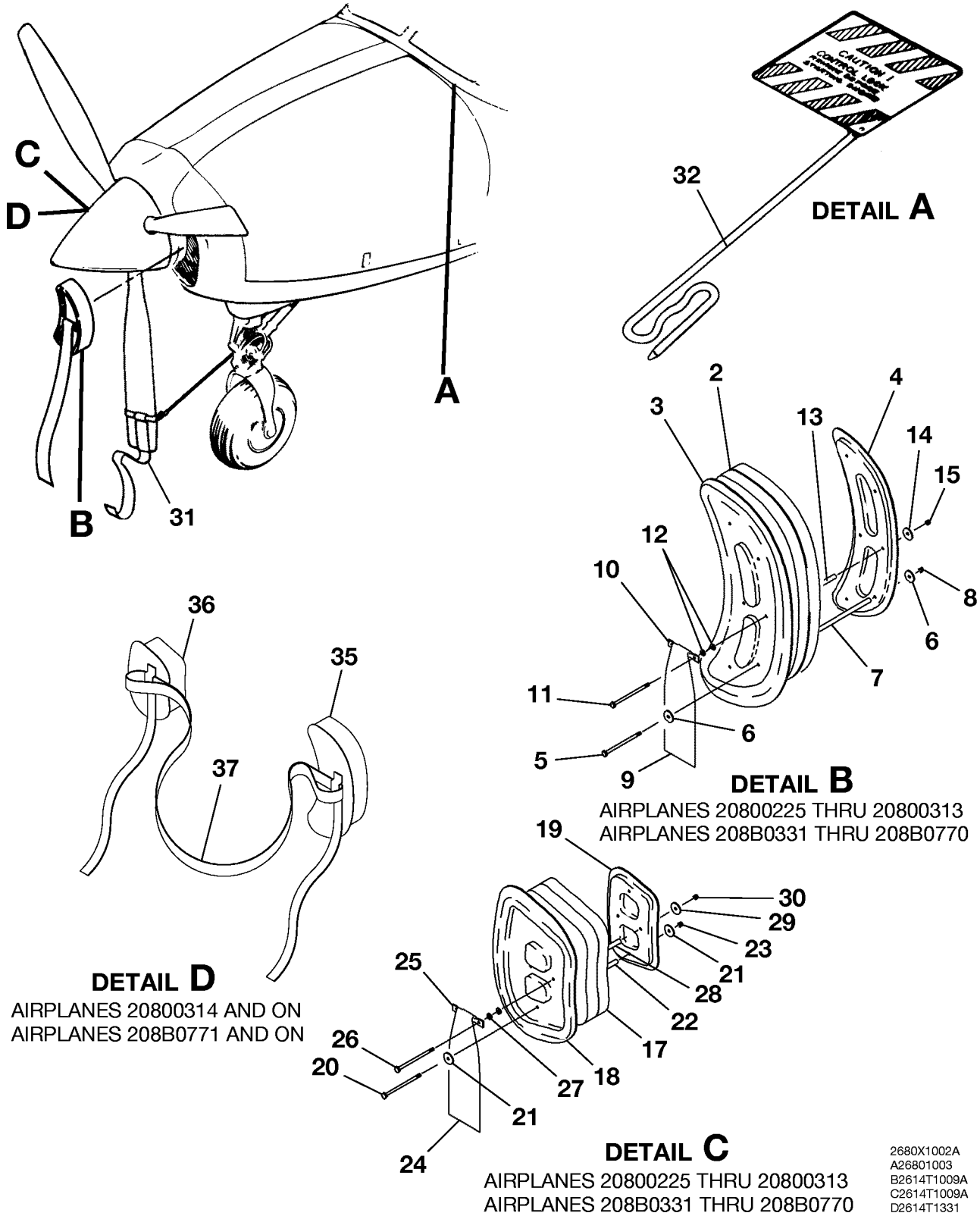
CESSNA®
MODEL 208
 ILLUSTRATED PARTS CATALOG

FIG ITEM	PART NUMBER	NOMENCLATURE	UNITS PER ASSY		
			1	2	3
02					
-		PARKING AND STORAGE EQUIPMENT	0140	0224	RF
			B0117	B0330	
1	2684003-1	. PLUG ASSY-ENGINE INLET LH FSO 2684003-9 REFER TO NOTE 1			NP
2	2684003-5	. PLUG-FOAM			01
3	2684003-3	. PANEL-INLET			02
		ATTACHING PARTS			
4	AN3-17A	. BOLT			04
5	AN970-3	. WASHER			04
6	NAS43DD3-80N	. SPACER			04
- 6A	NAS43DD3-80FC	. SPACER ALT FOR NAS43DD3-80N			04
7	MS21042L3	. NUT			04
		—*—			
8	2684004-1	. STREAMER ASSY			01
		ATTACHING PARTS			
9	2684003-7	. ROD-STREAMER			01
10	AN3-20A	. BOLT			02
11	NAS1149C0363R	. WASHER			02
12	NAS43DD3-80N	. SPACER			02
- 12A	NAS43DD3-80FC	. SPACER ALT FOR NAS43DD3-80N			04
13	AN970-3	. WASHER			02
14	MS21042L3	. NUT			02
		—*—			
15	2684003-2	. PLUG ASSY-OIL INLET FSO 2684003-8 REFER TO NOTE 1			NP
16	2684003-6	. PLUG-FOAM			01
17	2684003-4	. PANEL-INLET			02
		ATTACHING PARTS			
18	AN3-17A	. BOLT			02
19	AN970-3	. WASHER			02
20	NAS43DD3-80N	. SPACER			02
- 20A	NAS43DD3-80FC	. SPACER ALT FOR NAS43DD3-80N			04
21	MS21042L3	. NUT			02
		—*—			
22	2684004-1	. STREAMER ASSY			01
		ATTACHING PARTS			
23	2684003-7	. ROD-STREAMER			01
24	AN3-20A	. BOLT			02
25	NAS1149C0363R	. WASHER			02
26	NAS43DD3-80N	. SPACER			02
- 26A	NAS43DD3-80FC	. SPACER ALT FOR NAS43DD3-80N			04
27	AN970-3	. WASHER			02
28	MS21042L3	. NUT			02
		—*—			
29	2684002-1	. PROP ANCHOR ASSY FSO 2684005-17	0140	0196	NP R
			B0117	B0229	
- 30	2684005-1	. PROP ANCHOR ASSY FSO 2684005-17	0197	0224	NP R
			B0230	B0330	
- 30A	2684005-10	. PROP ANCHOR ASSY SPARES FSO 2684005-17			NP R
- 30B	2684005-17	. PROP ANCHOR ASSY SPARES			01 R
31	2613403-1	. CONTROL LOCK ASSY FSO 2660055-1			NP
- 31A	2660055-1	. CONTROL LOCK ASSY			01
- 32		. TOW BAR ASSY REFER TO 25-22-00 FIGURE 01			RF

NOTE 1—REFER TO 10-10-00 FIGURE 03 FOR SUPERSEDING PARTS

CESSNA®
MODEL 208
 ILLUSTRATED PARTS CATALOG

A25042



AIRPLANES 20800225 THRU 20800313
 AIRPLANES 208B0331 THRU 208B0770

AIRPLANES 20800314 AND ON
 AIRPLANES 208B0771 AND ON

AIRPLANES 20800225 THRU 20800313
 AIRPLANES 208B0331 THRU 208B0770

2680X1002A
 A26801003
 B2614T1009A
 C2614T1009A
 D2614T1331

PARKING AND STORAGE EQUIPMENT
 FIGURE 03 (SHEET 1)

CESSNA®
MODEL 208
ILLUSTRATED PARTS CATALOG

FIG ITEM	PART NUMBER	NOMENCLATURE	UNITS PER ASSY		
			1	2	3
03		PARKING AND STORAGE EQUIPMENT			
-			0225	& ON	RF
			B0331	& ON	
- 1	2684003-9	INLET PLUG ASSY-ENGINE LH	0225	0313	NP
			B0331	B0770	
2	2684003-11	FOAM PLUG ASSY-BOND			01
3	2684003-15	FWD INLET PLUG-ENGINE			01
4	2684003-3	INLET PANEL-ENGINE AFT			01
		ATTACHING PARTS			
5	AN3-33A	BOLT			04
6	AN970-3	WASHER			08
7	NAS43DD3-180N	SPACER			04
- 7A	NAS43DD3-180FC	SPACER ALT FOR NAS43DD3-180N			04
8	MS21042L3	NUT			04
		—*—			
9	2684004-1	STREAMER ASSY			01
		ATTACHING PARTS			
10	2684003-7	STREAMER ROD			01
11	AN3-34A	BOLT			02
12	NAS1149F0363P	WASHER			04
13	NAS43DD3-180N	SPACER			02
- 13A	NAS43DD3-180FC	SPACER ALT FOR NAS43DD3-180N			04
14	AN970-3	WASHER			02
15	MS21042L3	NUT			02
		—*—			
- 16	2684003-8	INLET PLUG ASSY-OIL	0225	0313	NP
			B0331	B0770	
17	2684003-16	FOAM PLUG ASSY BOND			01
18	2684003-14	FWD INLET PANEL-OIL			01
19	2684003-4	INLET PANEL-OIL AFT			01
		ATTACHING PARTS			
20	AN3-33A	BOLT			02
21	AN970-3	WASHER			04
22	NAS43DD3-180N	SPACER			02
- 22A	NAS43DD3-180FC	SPACER ALT FOR NAS43DD3-180N			04
23	MS21042L3	NUT			02
		—*—			
24	2684004-1	STREAMER ASSY			01
		ATTACHING PARTS			
25	2684003-7	STREAMER ROD			01
26	AN3-34A	BOLT			02
27	NAS1149F0363P	WASHER			04
28	NAS43DD3-180N	SPACER			02
- 28A	NAS43DD3-180FC	SPACER ALT FOR NAS43DD3-180N			04
29	AN970-3	WASHER			02
30	MS21042L3	NUT			02
		—*—			
31	2684005-1	PROP ANCHOR ASSY FSO 2684005-17	0225	0569	NP
			B0331	B4999	
- 31A	2684005-10	PROP ANCHOR ASSY FSO 2684005-17	0570	0611	NP
- 31B	2684005-3	PROP ANCHOR ASSY FSO 2684005-17	B5000	B5199	NP
- 31C	2684005-11	PROP ANCHOR ASSY FSO 2684005-17	B5200	B5327	NP
- 31D	2684005-17	PROP ANCHOR ASSY	0612	& ON	01
			B5328	& ON	
32	2613403-1	CONTROL LOCK ASSY FSO 2660055-1	0107	0504	NP
			B0531	B2055	
- 33	2660055-1	CONTROL LOCK ASSY	0505	& ON	01
			B2056	& ON	
- 33A	2660055-1	CONTROL LOCK ASSY REFER TO NOTE 1	0238	& ON	01 R
			B0365	& ON	
- 34	WP60560-1	PLUG ASSY-ENGINE INLET LH & RH	V20748	0314	& ON
			B0771	& ON	01
35	EP11733-1	PLUG ASSY-ENGINE SOFT (LARGE) LH	V20748		01
36	EP71430-1	PLUG ASSY-ENGINE SOFT RH	V20748		01
37	WP60560-2	LANYARD	V20748		01
- 38		TOW BAR ASSY REFER TO 25-22-00 FIGURE 01			RF

NOTE 1—USED ON BRITISH CERTIFIED AIRPLANES